



Unit 1 , Vauxhall Street ,

Dudley, DY1 1TA

TEL : 01384 232121 FAX : 01384 232333

www.mgwelding.co.uk Email : sales@mgwelding.co.uk

ELECTRIC SLIDES MANUAL

MODEL : ED-SC

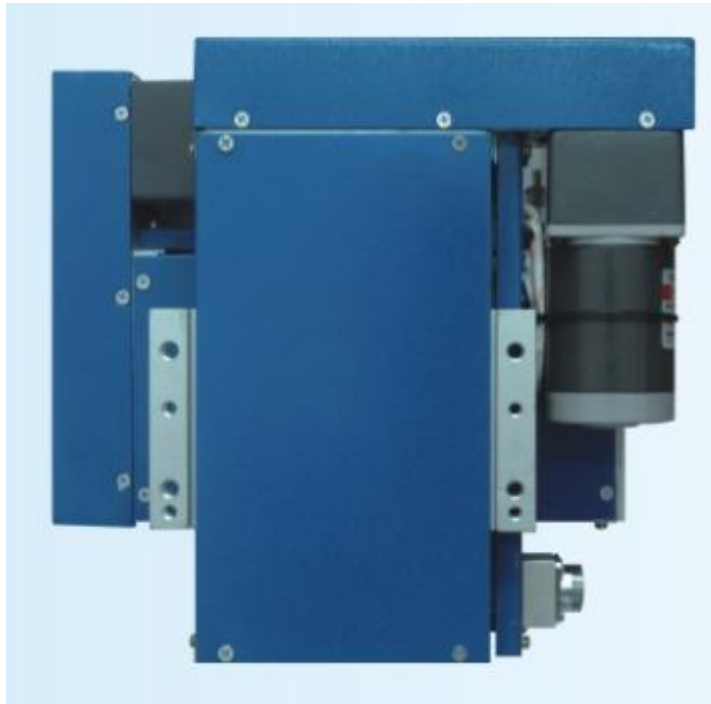


I. Overview:

ED-SC Electric cross slides consists of the Cross slides, the control box, remote controller. Variable speed control can achieve fine-tuned and rapid movement.

II. Structure:

a. Cross slides



Body parts are manufactured from aluminum alloy block, giving light weight and strength. DC motor driven, high-precision linear ball bearing and ball screw drive, smooth operation with high accuracy; Travel limit switches are fitted to prevent collision damage.

b. Control box

Control box enclosure made of aluminum alloy material.

Input Power AC 110V, Output voltage DC 24V, thyristor controlled variable speed motor and which gives better low-speed torque output to ensure smooth operation.



c. Remote controller

Remote control is made of aluminum alloy.

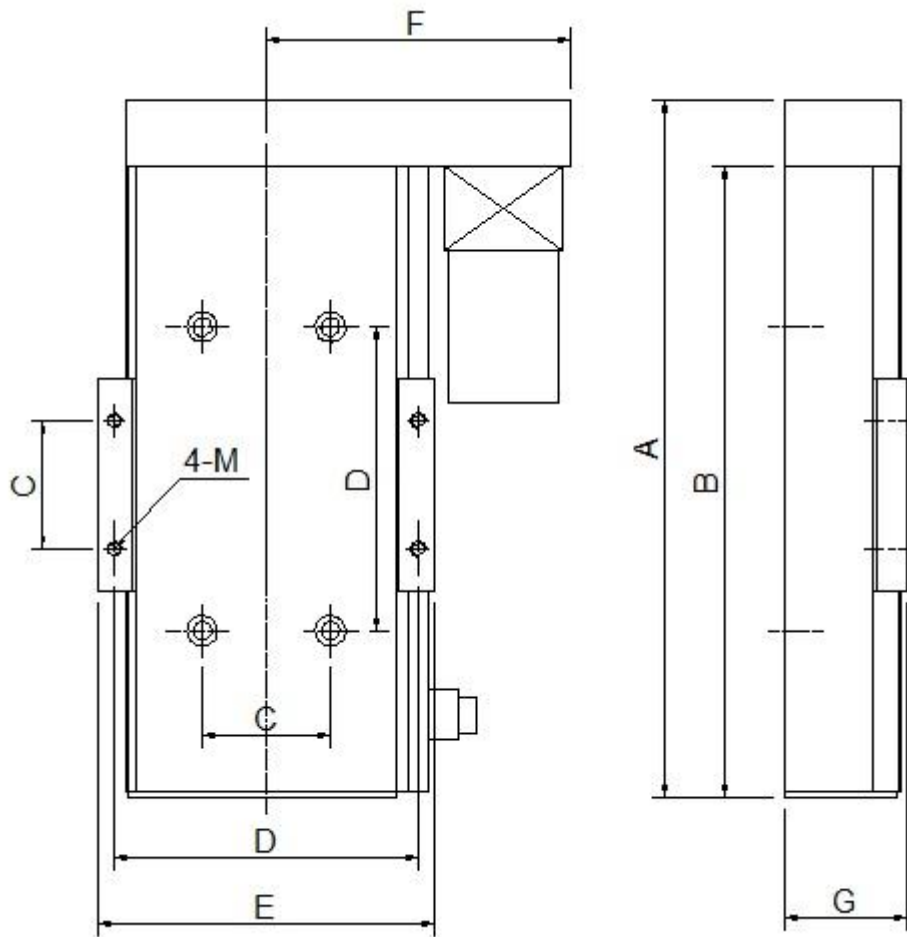
Remote control lever is a joystick type, and easy to use.



III. Main technical parameters:

	Parameters					Remarks
Model	ED-SC05	ED-SC08	ED-SC10	ED-SC20	ED-SC30	
Loading	25KG	50KG	50KG	100KG	50KG	
Stroke	100MM×100MM	150MM×150MM	200MM×200MM	200MM×200MM	300MM×300MM	
Speed	0~250MM/MIN	0~250MM/MIN	0~250MM/MIN	0~200MM/MIN	0~250MM/MIN	
Input power	AC110V、50Hz					
Drive motor	DC24V、15W	DC24V、20W	DC24V、20W	DC24V、40W、	DC24V、20W	

IV. Schematic and dimensions



Model	A	B	C	D	E	F	G	M
ED-SC05	278	238	60	150	168	152	65	M8
ED-SC08	364	324	76	180	200	178	75	M10
ED-SC10	414	374	76	180	200	178	75	M10
ED-SC20	489	444	164	210	234	205	85	M10
ED-SC10	514	474	76	180	200	178	75	M10

V. Port Description



①

②

③

④

① Remote Control Port

② X-Slide Port

③ Y-Slide Port

④ AC110V Power Input Port

VI. Electric Schematic

