

# 3T PIPE ROTATORS SPECIFICATION

## MGCR-3

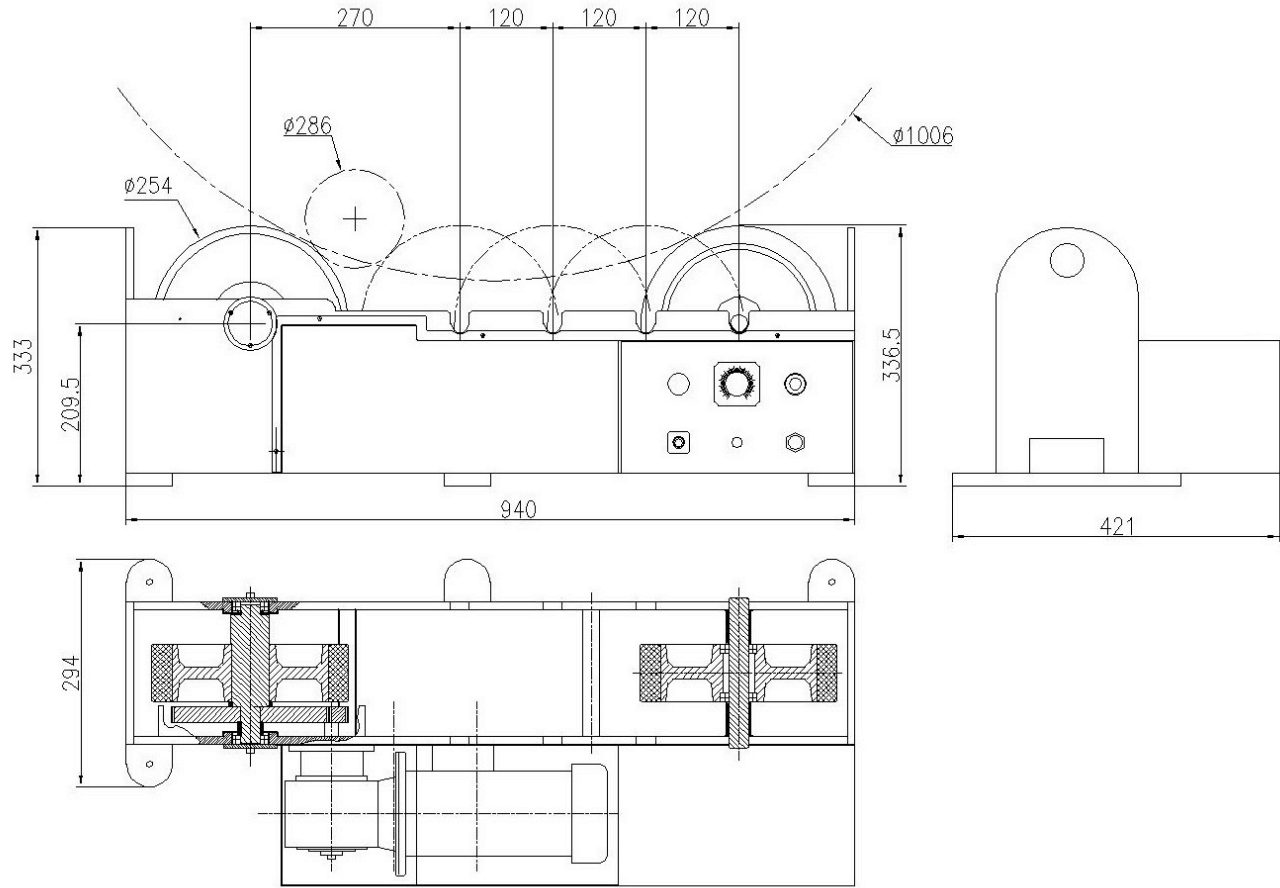


1	Model	WHT-3
2	Capacity (Loading)	3 Metric Ton
3	Capacity (Turning)	4.5 Metric Ton
4	Vessel Size (Min.)	Φ286 mm at 60° included Angle
5	Vessel Size (Max.)	Φ1006 mm at 60° included Angle
6	Tyre Type and Size	Polyurethane, Φ254mm x 76.2mm
7	Electrical Panel	Yes
8	Control Means	Foot Switch Control Cable 3m
9	Incoming Supply	110V-1P-50Hz
10	Roller Drive Motor	DC Motor
11	Roller Speed	0 to 4000mm/min
12	Surface Preparation	Gritblast to SA2.5
13	Painting	Painting
14	Color	RAL 9023 Silver
15	Qty	4
16	Weight	177kg

---

**MG WELDING**

**MGCR3**



■ **Idler Roll**

